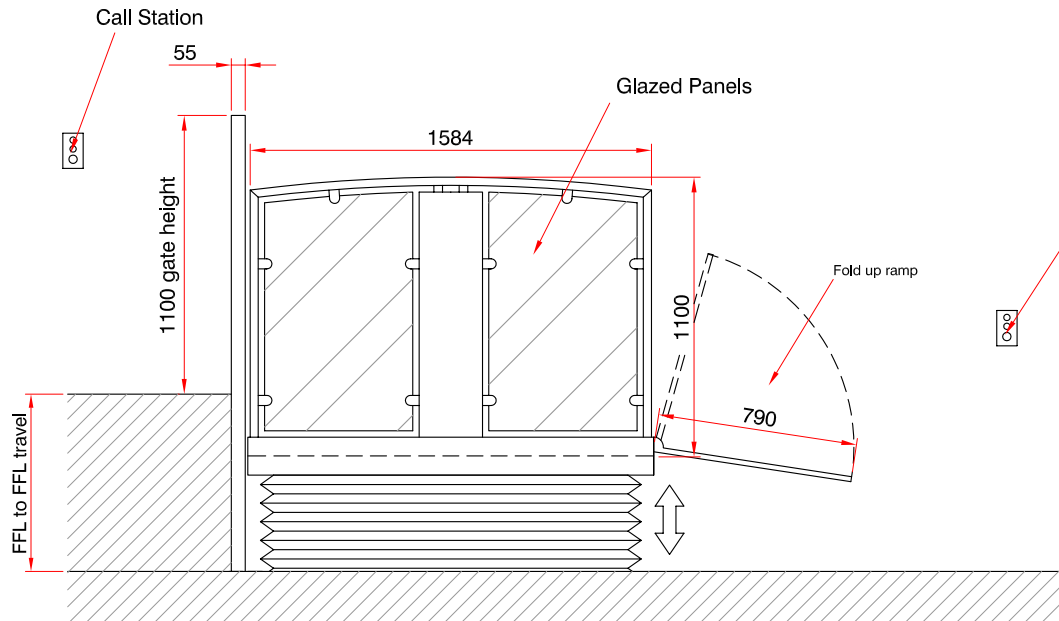
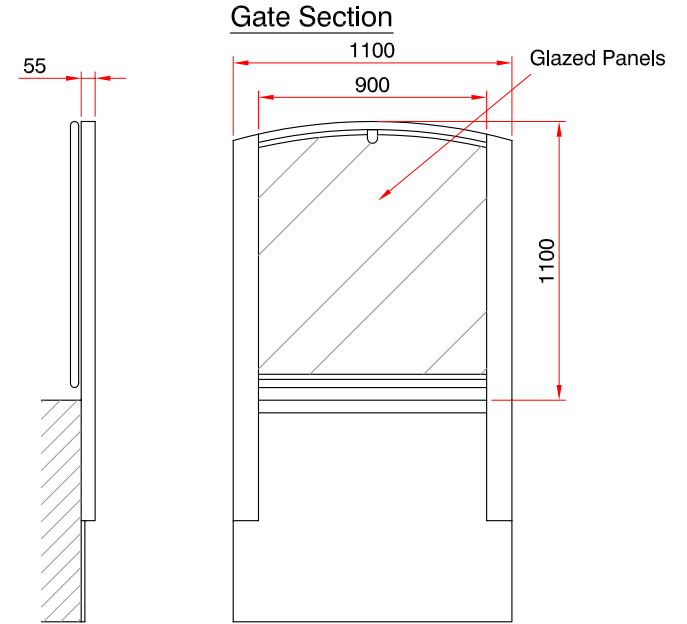
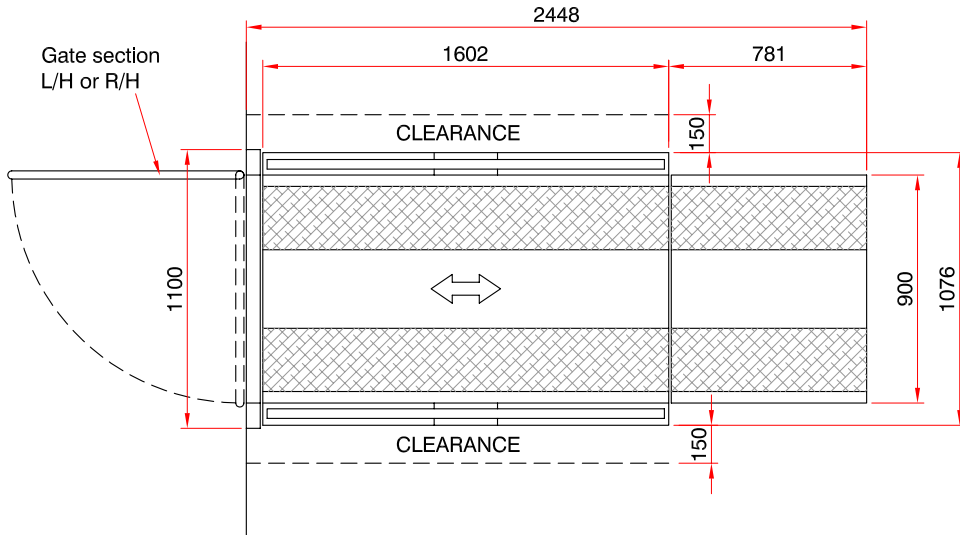


NOTE THIS DRAWING IS FOR GUIDANCE ONLY AND MUST NOT BE USED AS A PROPER WORKING DRAWING. FOR ENQUIRIES ABOUT THE LIFT PLEASE CONTACT THE **Platform Lift Co** - TEL 01256 896000



Step Lift Platform Specification

- Load: 250kg
- Drive: Electro-mechanical
- Speed: 13mm/sec
- Travel: Max 875m
- Weight: Platform = 150kg
Gate = 39kg
- Power: 240v 1ph 50Hz 10A
- Stops: 2
- Colour: Platform = Interpond 1036
Gate section = Interpond 1036 (std)
(other colours available)
- Gate Section: Glazed as standard
- Gate Handling: Left hand or Right hand
- Call Station: Wall mounted (optional remote Infra red)

Platform Lift Company
 Apsley Barns, Apsley, Near Andover, Hants, SP11 6NA
 Tel - 01256 896000
 Fax - 01256 896900
 E-mail - info@platformliftco.co.uk
 website - www.platformliftco.co.uk

TITLE		Elegance Step Lift	
DWG NO.	250 - EL	REV	A
SCALE	NTS	DATE	28/09/06
		DRAWN	RH