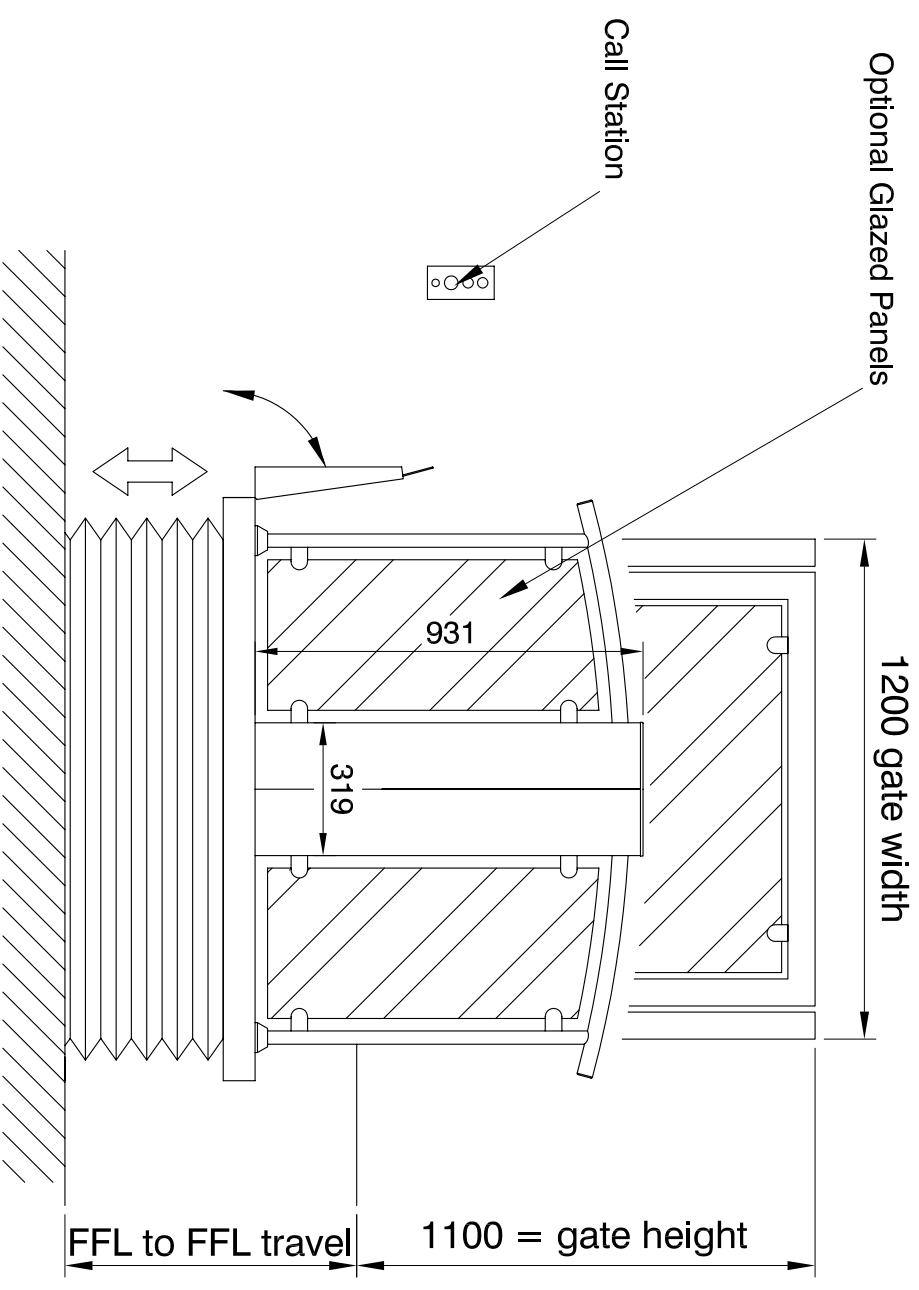


Step Lift Platform Specification

- Load: 250kg
- Drive: Electro-hydraulic
- Speed: 0.25m/sec
- Travel: Max 1m
- Power: 240v 1ph 50Hz 10A
- Stops: 2
- Colour: Platform = RAL 9006 (std)
Gate section = RAL 9006 (std)
(other RAL colours available)

- Gate Section: Glazed as standard
- Gate Handing: Left hand or Right hand
- Upper Call Station: Mounted on gate post
- Lower Call Station: Wall mounted
- External Pump Box: Required on lifts less than 400mm travel



Building work required

- 1 - Provide power supply
- 2 - Provide upper floor adequate for fixing the gate section
- 3 - Provide finish flooring on lower and upper level
- 4 - Provide conduit for cables

<p>Platform Lift Company Apsley Barns, Apsley, Near Andover, Hants, SP11 6NA Tel - 01256 896000 Fax - 01256 896900 E-mail - info@platformliftco.co.uk website - www.platformliftco.co.uk</p>		TITLE	REV
		E-TYPE Independence Step Lift - Adjacent	B
DWG NO.	SCALE	DATE	DRAWN
250 - E-TYPE INDEPENDENCE ADJ	NTS	6/5/08	CR